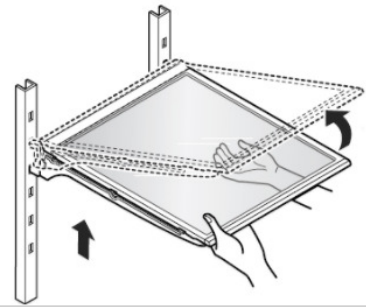


1 Remove top shelf.

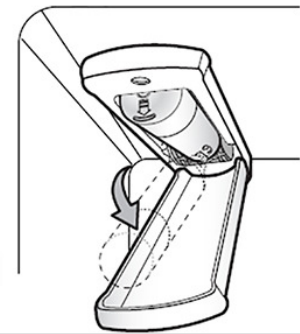
If the top shelf, which is located below the water filter, is in the highest position, it will need to be removed. This can be done in two simple steps:

- Tilt up the front of the shelf and lift it.
- Pull the shelf out.



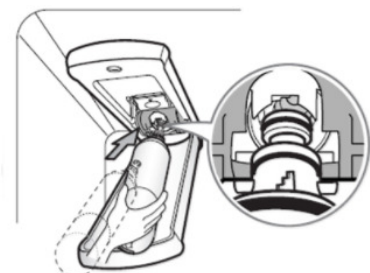
2 Remove old filter.

Press the push button to open the water filter cover, then rotate the filter down and pull it out.



3 Install new filter.

Take a new water filter out of its packaging and remove the protective cover from the o-rings. With the filter tabs in the horizontal position, push the new filter into the manifold hole, rotate it up into place, and close the cover.



4 Remove trapped air.

Now that the filter is replaced, dispense 2.5 gallons of water to remove trapped air and contaminants from the system. Depress and release the dispenser pad for cycles of **30 seconds ON and 60 seconds OFF**, rather than dispensing continuously.

If your model is equipped with a **water filter indicator** on the display, press and hold the **FILTER** button or **RESET** button for approximately **5 seconds** to reset the filter indicator.